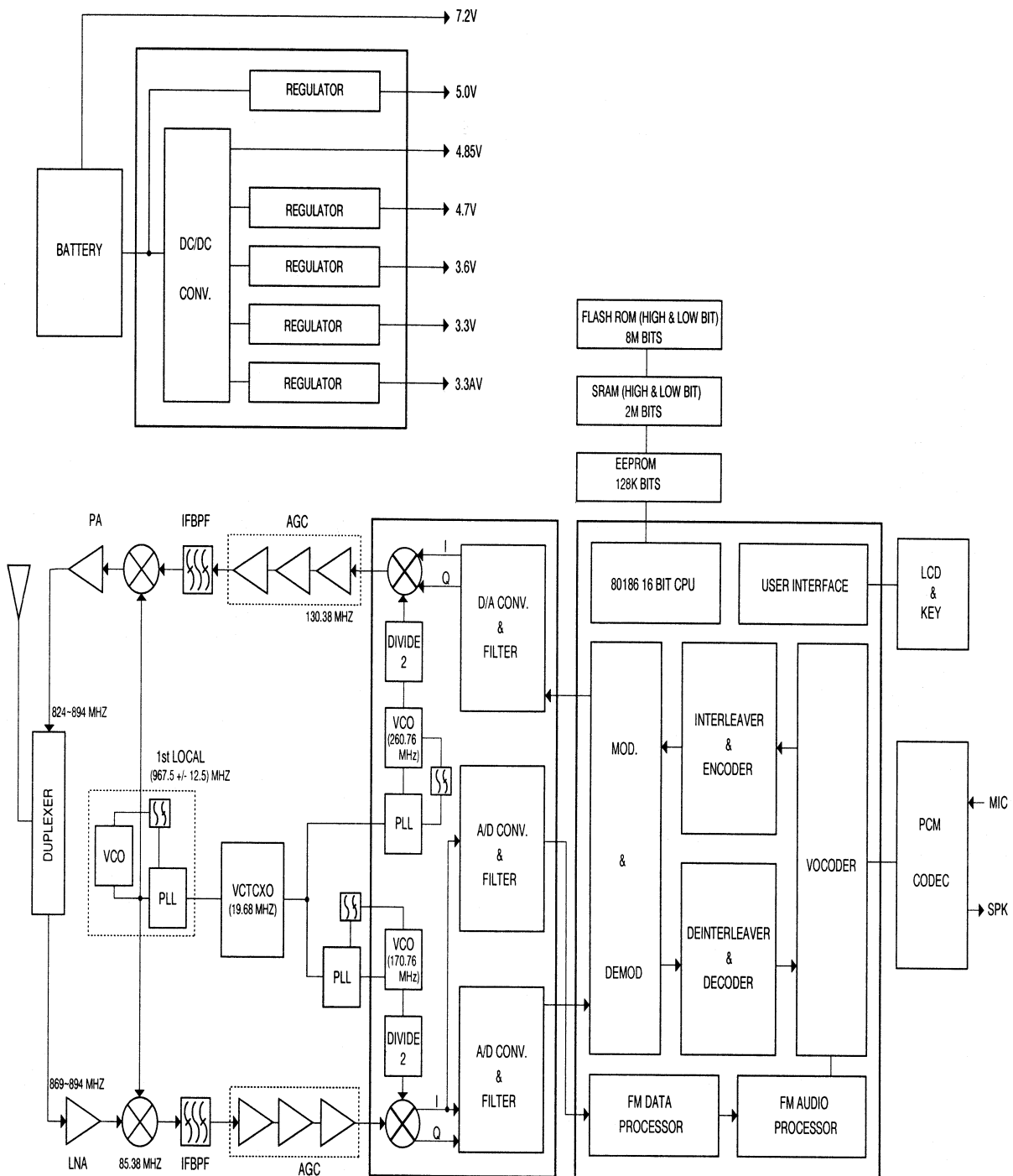
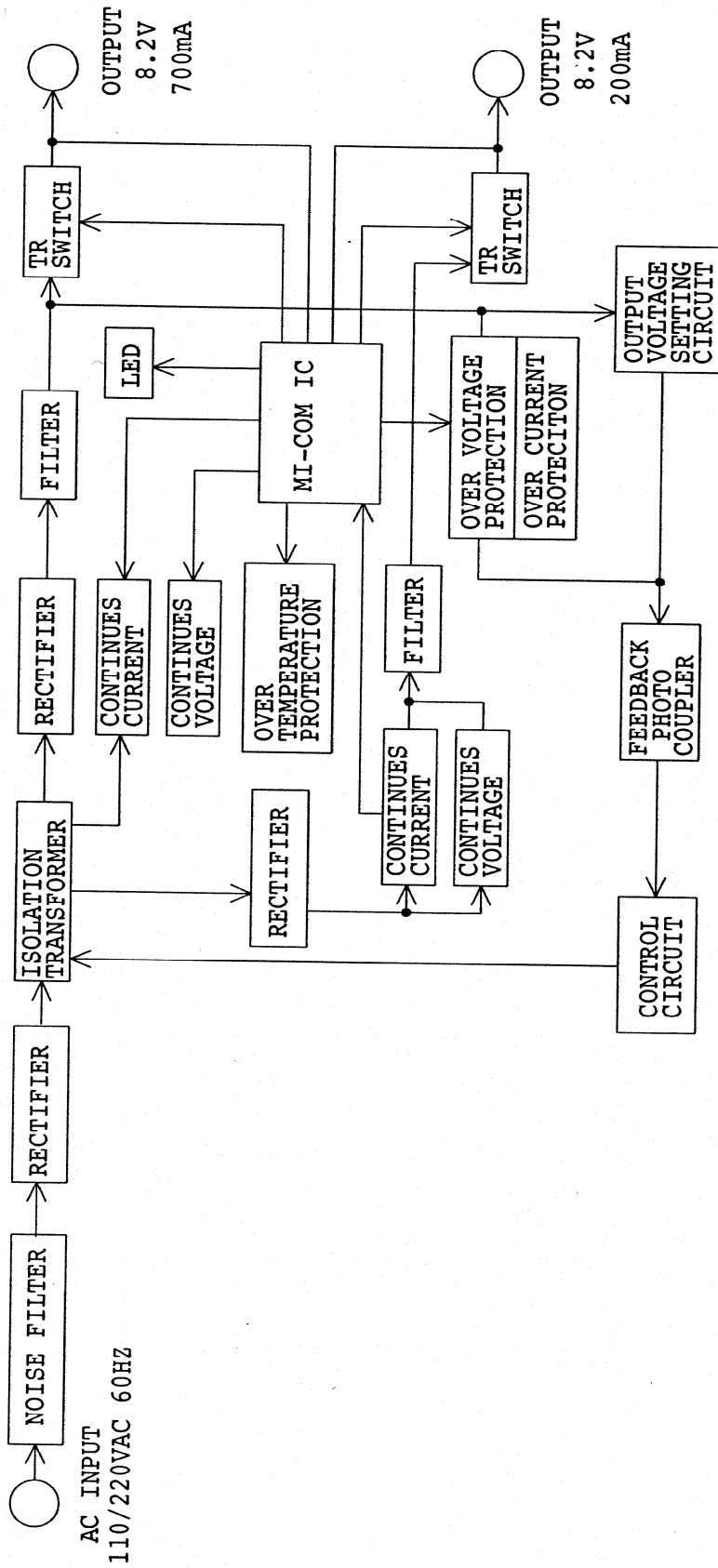


# 11. Block & Circuit Diagrams

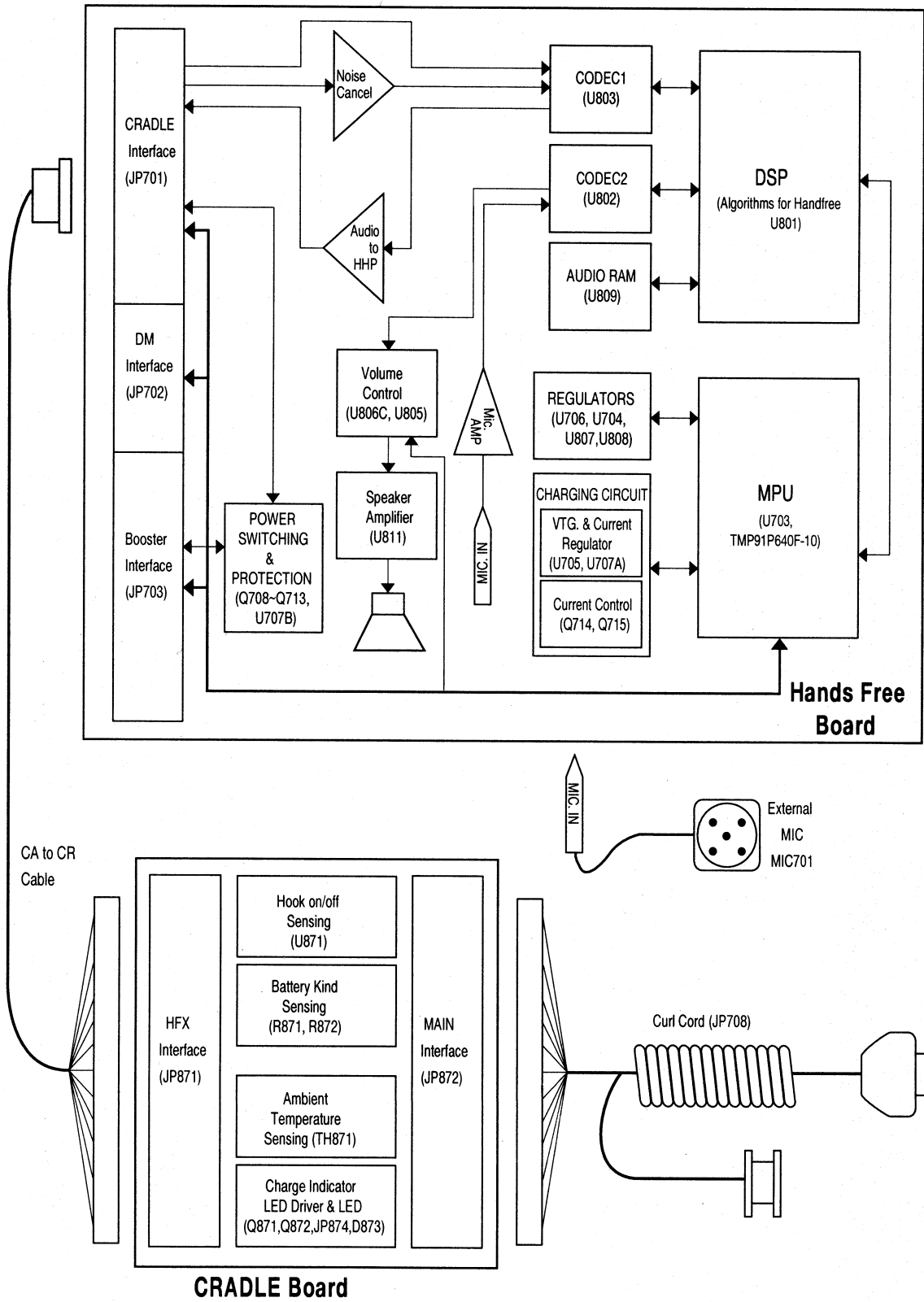
## 11-1 Main Block Diagram

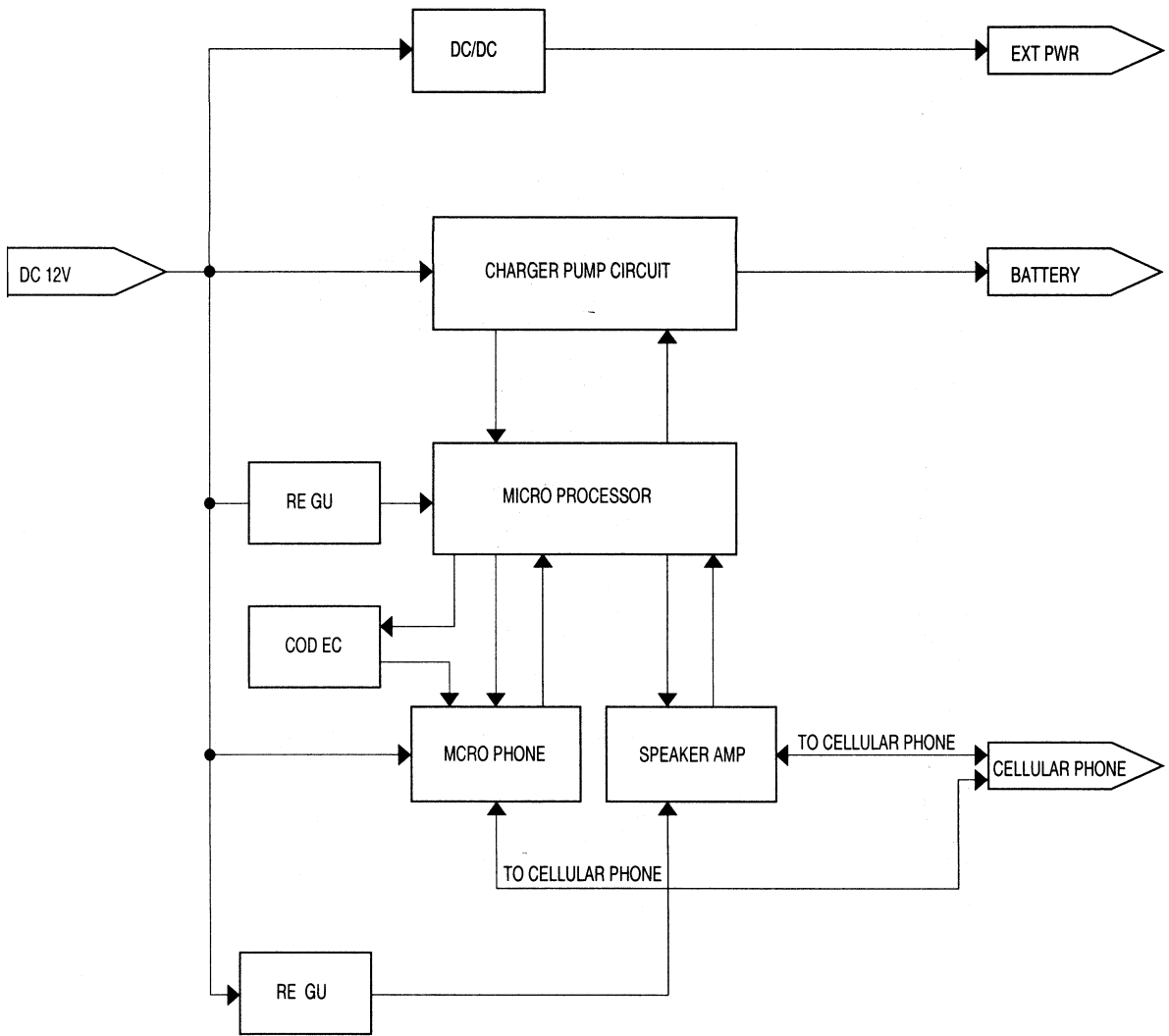


# 11-2 Rapid Desk-Top Charger Block Diagram (DTC58)

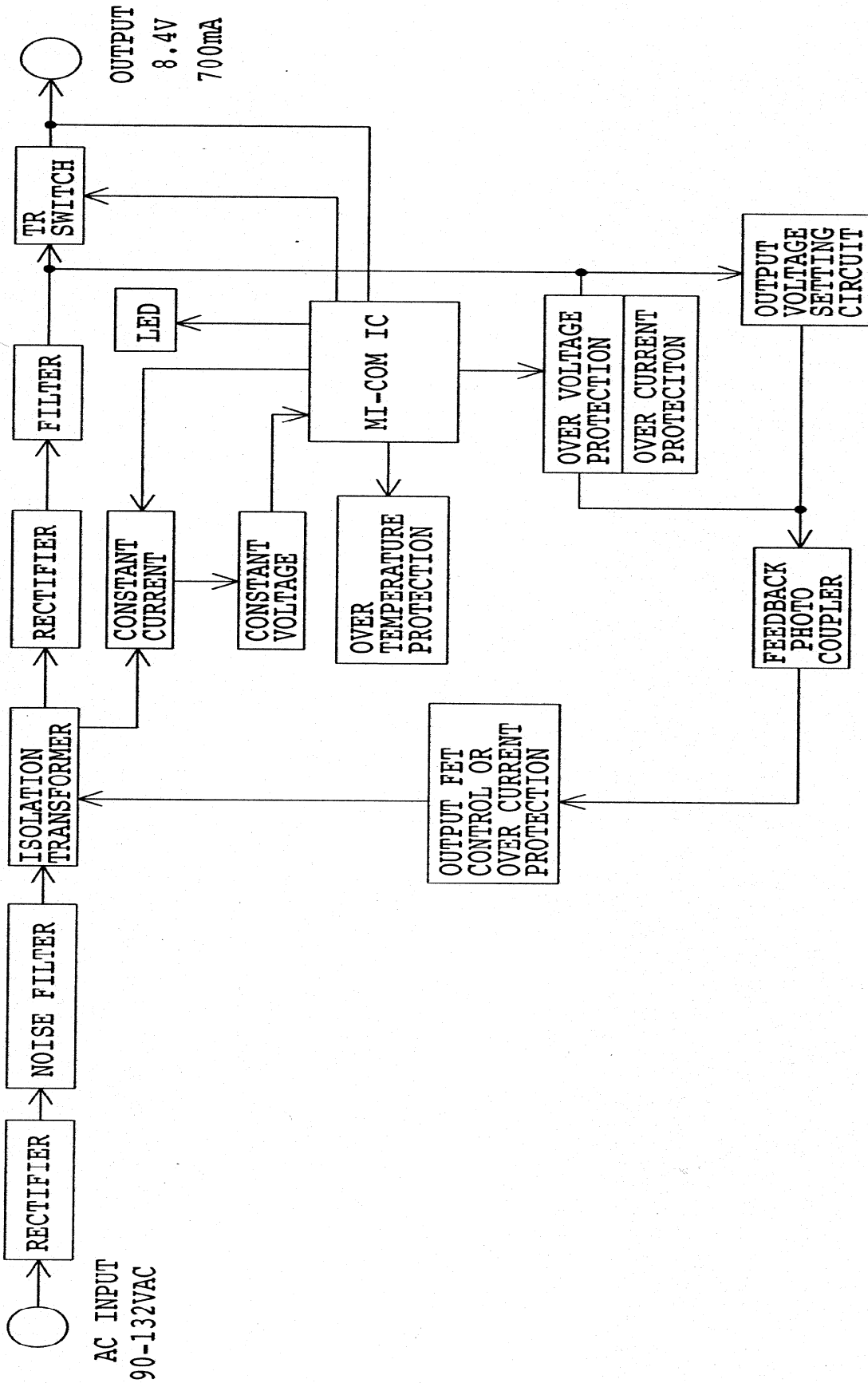


# 11-3 Hands-free Kit Block Diagram





# 11-4 Rapid Travel Charger Block Diagram



# 11-5 CLA (Cigarette Lighter Adaptor ) Block Diagram

